

ACE FLOW – 2/2 Way Normally Closed Solenoid Valve

Product Overview + Models (Regular 0–20 SCFM & High Flow 0–70 SCFM)

ACE FLOW 2/2 Way Normally Closed Solenoid Valves are electrically actuated valves designed for safe, reliable, and precise control of air, water, and compatible neutral fluids in industrial automation systems. The valve remains closed in a de-energized condition, ensuring fail-safe operation during power loss.

Operation

The solenoid valve operates in a normally closed configuration. When electrical power is supplied, the coil generates a magnetic field that lifts the plunger, opening the valve and allowing media flow. When power is removed, the valve automatically returns to the closed position, preventing unintended flow.

Design

- 2/2 way configuration – two ports, two positions
- Direct-acting design available
- Compact construction suitable for panel and inline mounting
- Modular coil and plug assembly for easy maintenance

Materials of Construction

- Valve Body: Aluminum / Brass / SS304 / SS316L
- Armature Tube: Stainless Steel AISI 304L
- Plunger: Stainless Steel AISI 430F

Media Compatibility

Suitable for air and neutral fluids. Media compatibility depends on selected seal material.

Standard Specifications

- Pressure Range: 0 – 15 bar
- Port Sizes: 1/8", 1/4", 3/8" & 1/2" BSP (F)(standard)
- Seal Options: NBR or VITON
- Voltage Options: 24 V DC, 230 V AC (other voltages available on request)
- Configurations & Options: LED indicator, DIN 43650 connector, IP65 / IP68 coil and feedback options

Key Benefits

- Rapid switching for efficient process control
- Fail-safe normally closed operation
- Modular coil and plug design for quick replacement
- Flexible mounting orientation

Typical Applications

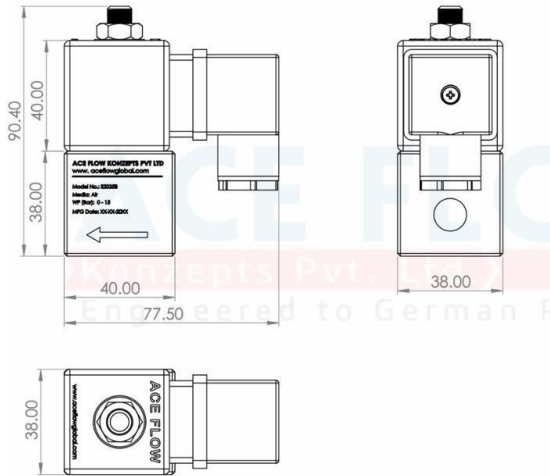
- Water treatment systems
- OEM manufacturing
- Process automation
- General industrial control

Models & Flow Capacity

Below are the 2 main types of ACE FLOW solenoid valve models based on air flow capacity:

Type 1: Regular Model (0-20 SCFM)

- AFK-025A – 0-20 SCFM (10W coil)
- AFK-025B – 0-20 SCFM (8W coil)

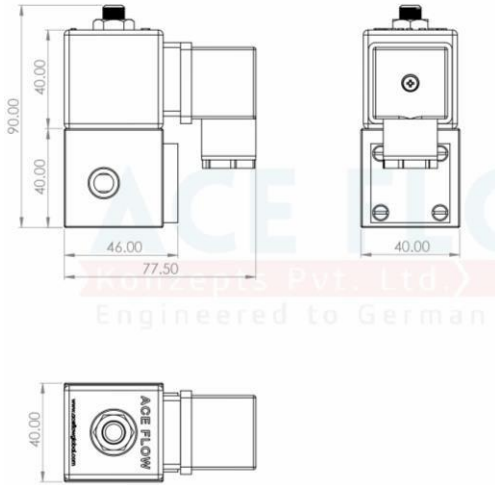


Specification Table

Sr.No	Model No	Port Connection	Body Make	Media	Pressure	Air Flow Capacity	Seal	Coil			
								Type of Solenoid	material	Insulation Class	Power of coil
1	AFK-025A	1/4" BSP(F)	ALU/SS/BRASS	AIR,GAS	0-10KG	0-20 SCFM	VITON	ME-20G/S PgG	Glass Braded Nylon	Class F	10W
2	AFK-025B	1/4" BSP(F)	ALU/SS/BRASS	AIR,GAS	0-10KG	0-20 SCFM	VITON	ME-20G/S PgG	Glass Braded Nylon	Class F	8W

Type 2: High Flow Model (0-70 SCFM)

- AFK-025HFA – 0-70 SCFM (10W coil)
- AFK-025HFB – 0-70 SCFM (8W coil)



Specification Table

Sr.No	Model No	Port Connection	Body Make	Media	Pressure	Air Flow Capacity	Seal	Coil			
								Type of Solenoid	material	Insulation Class	Power of coil
3	AFK-025HFA	1/4" BSP(F)	ALU/SS/BRASS	AIR,GAS	0-20KG	0-70 SCFM	VITON	ME-209/S PG9	Glass Braded Nylon	Class F	10W
4	AFK-025HFB	1/4" BSP(F)	ALU/SS/BRASS	AIR,GAS	0-20KG	0-70 SCFM	VITON	ME-209/S PG9	Glass Braded Nylon	Class F	8W